

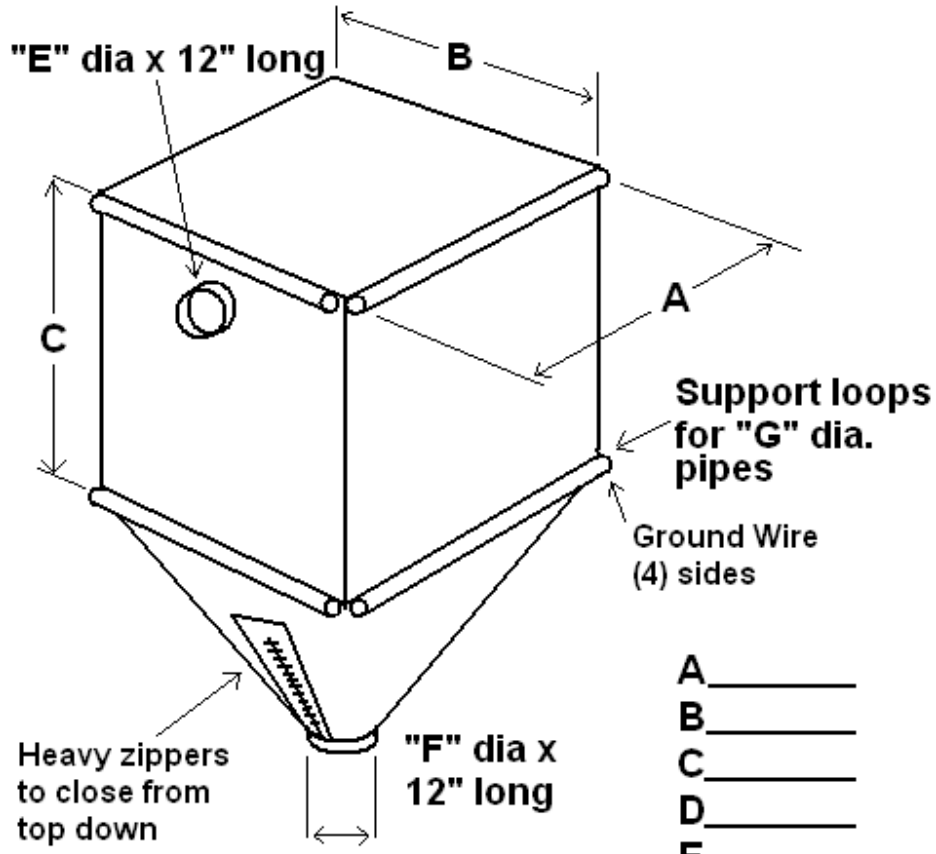


"BUILDING BAGS BETTER!"

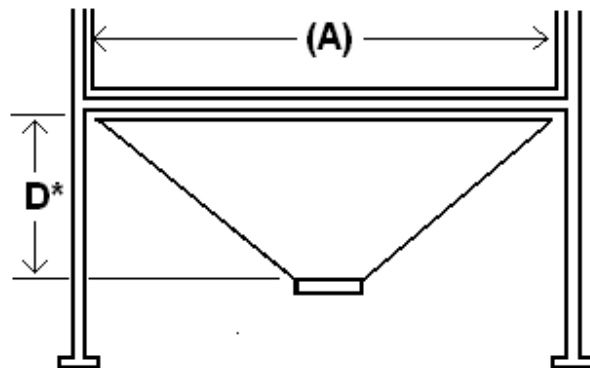
King Bag & Manufacturing Co.

1500 Spring Lawn Avenue / Cincinnati, OH 45223
Mike Jennings / (800)444-5464 x306 / fax (513)541-6555
mike@kingbag.com

EPS Pre-Puff Storage Bag



- A _____
- B _____
- C _____
- D _____
- E _____
- F _____
- G _____



**D note: Vertical measure of bottom cone*

Material

Customer

Order

Part